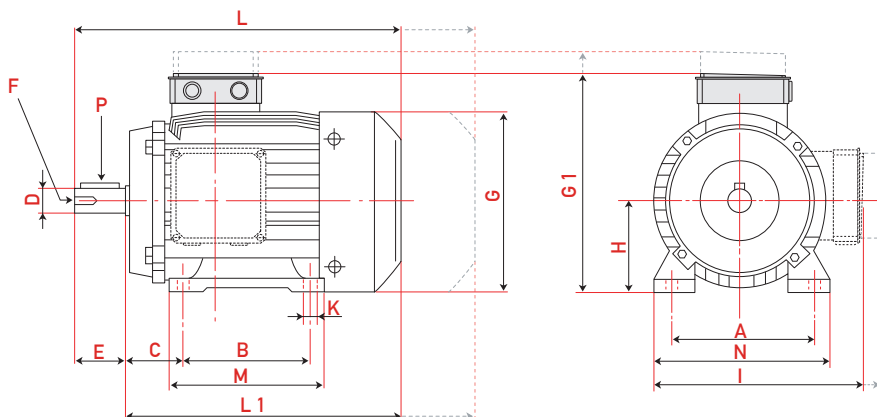
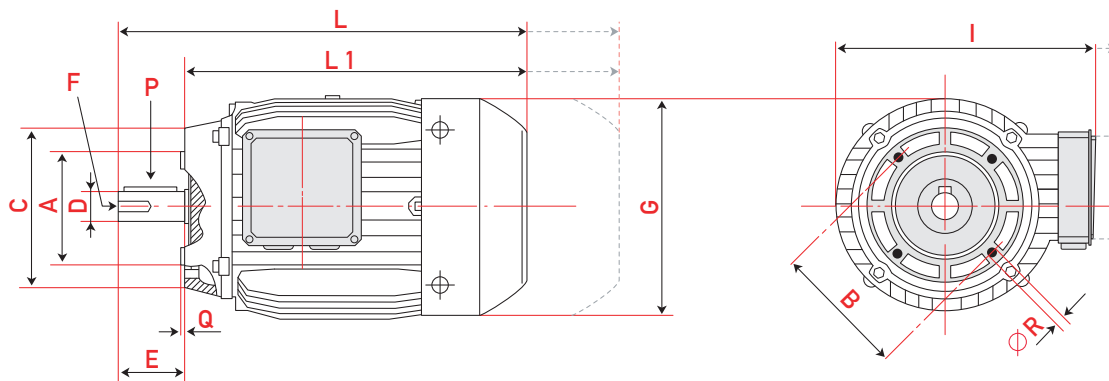


CONSTRUCTIVE FORM B3/B14



MEC	H	A	B	C	D	E	F	P	G	G1	I	K	L	L1	M	N
56	56	90	71	36	9	20	M4x10	3x10	110	153	ND	6	187	167	90	108
63	63	100	80	40	11	23	M4x10	4x15	125	166	170	7	206	183	100	121
71	71	112	90	47	14	30	M5x15	5x20	140	184	183	7	245	215	112	136
80	80	125	100	50	19	40	M6x15	6x30	160	205	204	9	275	235	124	153
90S	90	140	100	56	24	50	M8x20	8x40	175	220	218	10	303	253	130	170
90L	90	140	125	56	24	50	M8x20	8x40	175	220	218	10	330	280	155	170
100	100	160	140	63	28	60	M10x25	8x50	193	245	244	12	366	306	170	192
112	112	190	140	70	28	60	M10x25	8x50	220	263	262	13	386	326	182	220
132S	132	216	140	89	38	80	M12x30	10x60	260	310	308	13	458	378	181	260
132M	132	216	178	89	38	80	M12x30	10x60	260	310	308	13	495	415	219	260



MEC	A	B	C	D	E	F	P	R	G	I	Q	L	L1
56	50	65	80	9	20	M4x10	3x10	M5	110	152	2.5	187	167
63	60	75	90	11	23	M4x10	4x15	M5	125	164	2.5	206	183
71	70	85	105	14	30	M5x15	5x20	M6	140	182	2.5	245	215
80	80	100	120	19	40	M6x15	6x30	M6	160	203	3	275	235
90S	95	115	140	24	50	M8x20	8x40	M8	175	216	3	303	253
90L	95	115	140	24	50	M8x20	8x40	M8	175	216	3	330	280
100	110	130	160	28	60	M10x25	8x50	M8	193	242	3.5	366	306
112	110	130	160	28	60	M10x25	8x50	M8	220	260	3.5	386	326
132S	130	165	200	38	80	M12x30	10x60	M10	260	307	3.5	458	378
132M	130	165	200	38	80	M12x30	10x60	M10	260	307	3.5	495	415

THE "L - L1" VALUES OF THE BRAKE MOTORS ARE HIGHER

SERIES	MEC 56	MEC 63	MEC 71	MEC 80	MEC 90S - 90L	MEC 100	MEC 112	MEC 132S - 132M
TF - MF	+ 18 mm	+ 25 mm	+ 28 mm	+ 28 mm	+ 32 mm	+ 41 mm	+ 27 mm	---
TFA - FK	+ 56 mm	+ 75 mm	+ 73 mm	+ 77 mm	+ 80 mm	+ 100 mm	+ 117 mm	+ 124 mm

N.B. The "I" and "G1" quotas can change by the type of the box to apply at the variant of the electric motor that you need.

All technical data can be modified and updated. DAMIEN Electric Motors will can modify them without any notification.